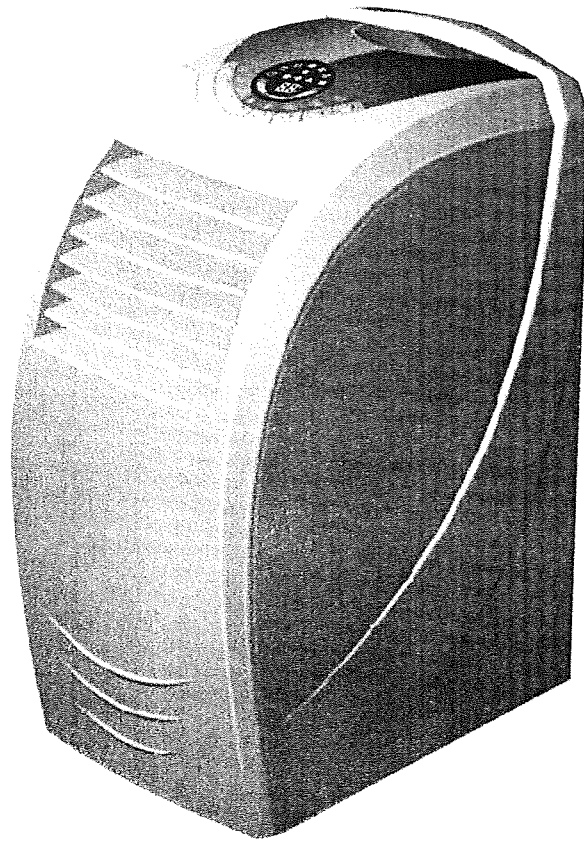




PORTABLE AIR-CONDITIONER



Model DAC15006R

DAC12006R

☆ Please read and retain this manual for future reference

Introduction

Thank you for choosing a Dimplex air conditioner. This manual contains information, regulations and warnings which are of fundamental importance if the appliance is to be installed correctly and the highest performance, in the safest possible conditions is to be obtained. We suggest that you read the manual carefully before installing or starting up the appliance.

Features

The air-conditioning unit is of the mono tube type, transferable (on Wheels) with air/air operating system for domestic use and has 3 settings.

- Ventilate.
- Cool.
- Dehumidify.

The ventilation mode "moves" the air allowing for its recycling much like a fan.

The cooling mode, a refrigerated circuit (compressor), cools the room by transferring the heat from the inside to the outside through the air exhaust hose. While cooling, the air-conditioning unit also dehumidifies the room air.

Contents

Contents.....	1
Important Safeguards	2
Features And Parts List	3
Panel Control.....	4
Remote control.....	5
Operation Methods.	6
Installation	8
Water Drainage Methods	10
Maintenance	12
Trouble Shooting.....	13
Installation Accessories	14
Appendix.....	15
Guarantee	16

Important Safeguards

Important Safeguards.

- Read all instructions.
- Disconnect the power plug before dismantling, assembling or before cleaning.
- Avoid touching mobile parts of the appliance.
- Never insert fingers, pencils or any other objects though the guards whenever the power plug is connected, especially while running.
- The appliance is not intended for use by young children or infirm persons unless they have been adequately supervised by a responsible person to ensure that they can use the unit safely.
- Young children should be supervised to ensure that they do not play with the appliance.
- Do not use the appliance for any other purpose than its intended use.
- The appliance must not be used if the guards are not fastened according to instructions.
- When the power cord is damaged, it must be replaced by the manufacturer or its service agent or a similarly qualified person in order to avoid a hazard.
- Do not use your appliance with an extension cord unless it has been checked and tested by a qualified electrician or electrical supplier.
- Return to Hagemeyer or authorised service agent.
- **The air conditioning unit must always be stored and transported upright, otherwise you may cause irreparable damage to the compressor; in case of doubt we suggest to wait for at least 24 hours before you start the air-conditioning unit.**
- Avoid restarting the air conditioning unit unless 4 minutes have passed since being turned off, or the compressor may get damaged.
- Never use the mains plug as a switch to start and turn off the air conditioning unit. Use the provided ON/OFF switch located on the control panel.
- Always place the portable air conditioner on a dry stable surface.

Energy Saving Tips.

- Do not cover or restrict the airflow from the Outlet or Inlet grills.
- The minimum distance from furniture and wall should be 50cm.
- Keep blinds and /or draperies, on any windows, closed during the sunniest part of the day.
- Keep the filters clean. Under normal conditions, the filters should be cleaned approximately every 30 days. Since the filters remove airborne particles, more frequent cleaning maybe necessary, depending on the indoor air quality.
- Set the fan speed switch to high cool and the thermostat to the coolest position for the initial start-up, then set the Fan switch to Low cool and lower the thermostat to a comfortable setting.

Features And Parts List

Features:

- No installation is required.
- Easily moved . The handle makes moving more convenient.
- LED colorful screen display.
- Water-cooled mode can save running costs.
- Low noise and strong breeze.
- Unique economic function.
- Auto swing makes wind blow from left to right automatically.
- Three-minute restart delay to protect compressor.

Part Names:

1. Control Panel
2. Horizontal Louver
3. Vertical Louver
4. Air Inlet Grille
5. Castors
6. Exhaust Duct
7. Handle
8. Air Outlet Grille
9. Power Cord and Plug
10. Water Injection Draw
11. Cord Storage hooks.
12. Air Filter

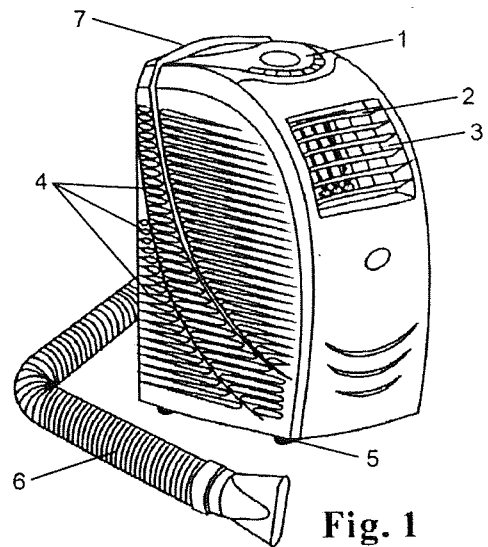


Fig. 1

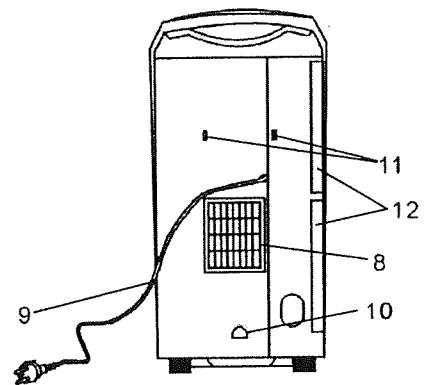
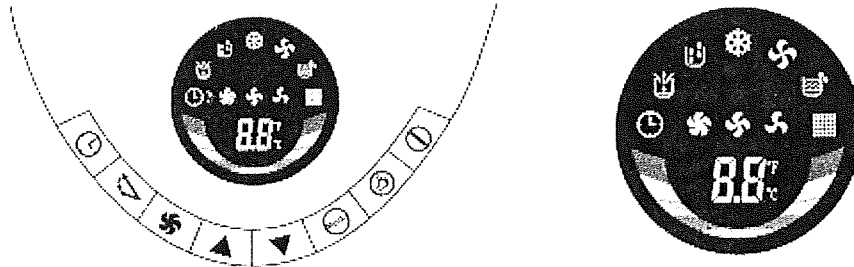











Fig. 2

Panel Control



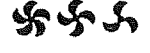



CAUTION: If the unit is turned off in cool dry mode and restarted immediately the unit will wait at least 3 minutes before running again.



1. Buttons.

-  Timer: Press this button to set the timer.
-  Swing: Press this button to make the vertical louver swing automatically. Press once again, the swing will stop.
-  Speed: Press this button to select high, medium or low fan Speed.
- Up/down: Press up or down button to set temperature or adjust the time in Timer mode.

-  Mode: Press this button to select cool, dehumidify or fan mode.
-  Econ: Press this button to set to energy saving mode (only cool mode). The temperature is preset at 27 and low fan speed is selected. These settings can not be changed. The LED display will flash  while in Econ mode, press Econ button again to cancel. The indicator  will stop flashing.
-  Power: Press this button to turn the unit ON and OFF.

2. LED display

-  Timer indicator
-  Dehumidify, Cool and Fan indicators.
-  High, medium and low fan speed indicator
-  Water Full indicator
-  Water Injection indicator
-  IR receiver window

88

Indicates the time and temperature. Display EX (X=2,3,5) when there is something wrong (refer to Self diagnosis function).
Display E4 when coil is defrosted.

°C °F

Celsius degree and Fahrenheit degree indicator.

Remote control



Power Press this button to turn/off the unit.



Timer Press this button to set the timer.



Swing Press this button to make the vertical louver swing automatically



°C °F Vary from Celsius degree to Fahrenheit degree.



Cool Press this button to choose Cool mode.



Dry Press this button to choose Dry mode.



Fan Press this button to choose Fan mode.



Up Press Up or Down button to set temperature



Down or adjust the time in Timer mode.



High Press this button to select high fan speed.



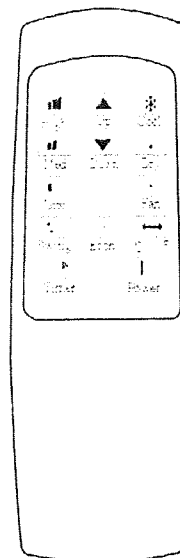
Med Press this button to select medium fan speed.



Low Press this button to select low fan speed.



Econ Press this button to set energy saving mode (only cool mode) The set temperature is preset at 27 and low fan speed is selected. These settings can not be changed. The LED display ❄ will flash while in Econ mode, press Econ button again to cancel. The indicator ❄ will stop flashing.



NOTE: To vary from Celsius to Fahrenheit by control panel, press both Up and Down button for at least 2 seconds.

Operation Methods

Timer Set

1. Set timer-off

Press the Timer button when the unit is on. The LED will flash “_ _” five times. During this period press Up or Down button to adjust set time from 0.5h to 24h. It will vary 0.5h each time in first 3h and 1h each time hereafter. The set time will flash 5 times after adjusting. When it will display temperature again. Once the set time end, the unit will turn off automatically.


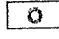
2. Changing the set time.



When Timer is on, you can check remnant time by pressing Timer button. It will flash 5 times. Press Up or Down button to adjust set time. The set time can also be cancelled if you press the Timer button once again during the flashing time.

3. Set timer-on:

Press the Timer button when the unit is off. Same as timer-off set. Once the preset time has passed the unit will turn on automatically.

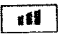

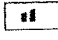
Cooling Operation.

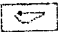
Press Mode button  on Remote Control or  on Control Panel to select Cool mode.

Press Up or Down   to adjust temperature cooler or warmer.

The range is 18 ~30, the setting will increase or decrease each time a button is pressed. The selected value will remain showing on the LCD.

Please Note - The temperature adjustment setting is not a direct correlation to the ambient room temperature. For example adjusting the setting to 18 will not necessary bring the ambient room temperature down to 18°

Press Fan Speed button on the Control panel or    on the Remote Control to set the required fan speed.

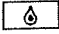
Press Swing button  on Control Panel or Remote to adjust the direction of the vertical louver.

Adjust horizontal louver by hand.

Dehumidifying Operation.

NOTE! *The machine operates in the cooling mode but it does not lower the room temperature. It absorbs the excessive humidity present in the air.*

Remove the exhaust tube from the air-conditioner or direct the outlet back into the room.

Press Mode button or  on the Remote to choose Dehumidifying mode. The fan speed is automatically selected to Low.

LED displays ambient room temperature. Fan speed and temperature cannot be adjusted.

When the water tank is full, the Water Full Indicator will illuminate and the compressor will shut off automatically, the fan will stay on circulating the air. At this time, you must empty the water tank as described in the Drainage section.

Important!

The water is only gravity drained therefore the tube must lay lower and drain at a lower level than the outlet tube at the rear of the air conditioner.

Installation

1. Selection of Installation Place

Install the unit on a flat and dry place.
Leave at least 50cm space around the Unit (when the hose is not connected).
(Fig.5)

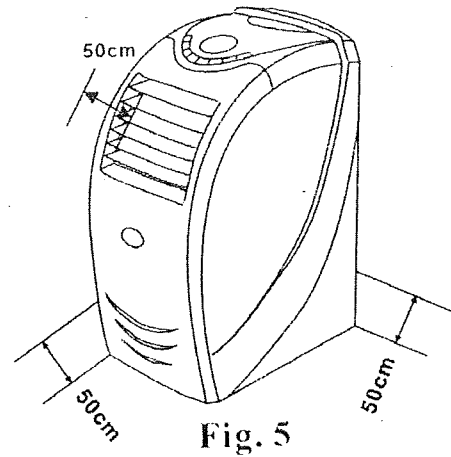


Fig. 5

2. AIR Exhaust Duct Mounting Method

- 1) Fix the square end of the exhaust duct to the exhaust terminal of the unit. (Fig.6)
- 2) Put the other end (discharge) to the nearest window. Leave at least 50cm space around it.

NOTE:

The length of the air exhaust duct is between 600mm to 1400mm. We suggest using the minimum length of the air exhaust duct for maximum performance.

This length has been designed especially according to the specifications of the air conditioner. Do not use an extension or exchange of a different hose as that may lead to malfunction.

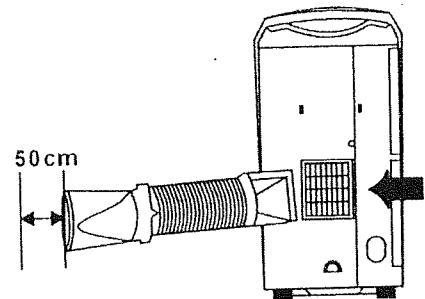


Fig. 6

3. Window Kit Installation

The window kit has been designed to fit most standard vertical and horizontal windows. However, it may be necessary for you to modify some aspects of the installation procedures for certain types of windows. Please refer to the illustrations. (Fig.7 and Fig.8)

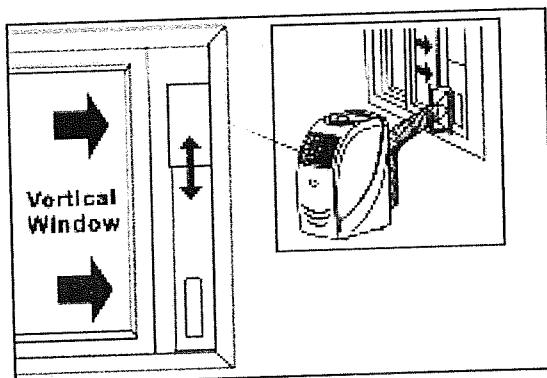


Fig.7

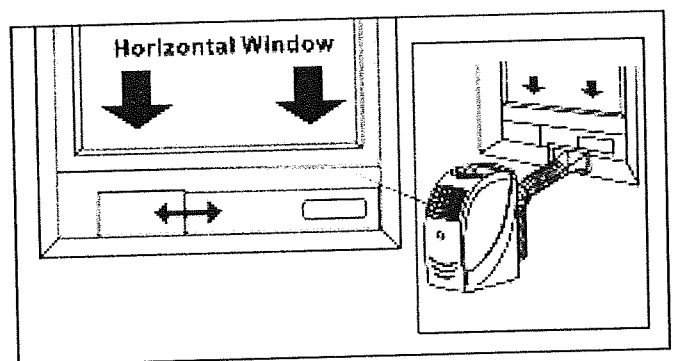


Fig.8

4. Mounting Illustrations

a) Mounting in the wall

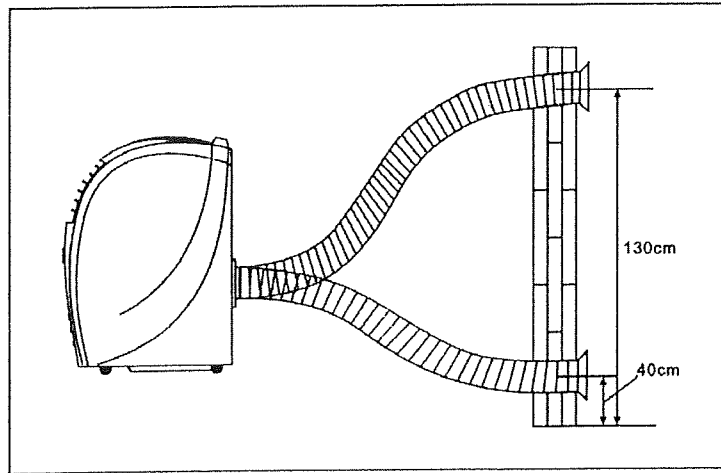


Fig. 9

b) Correct Bending

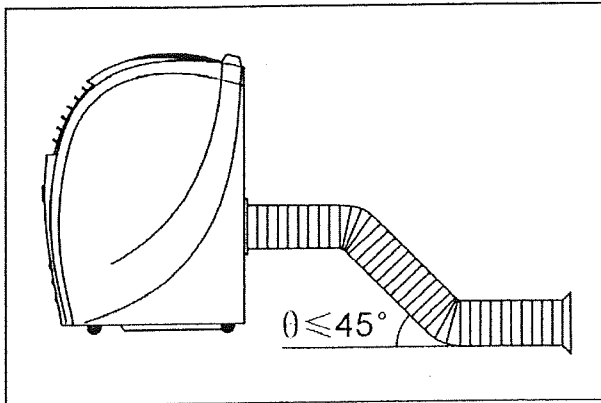


Fig.10

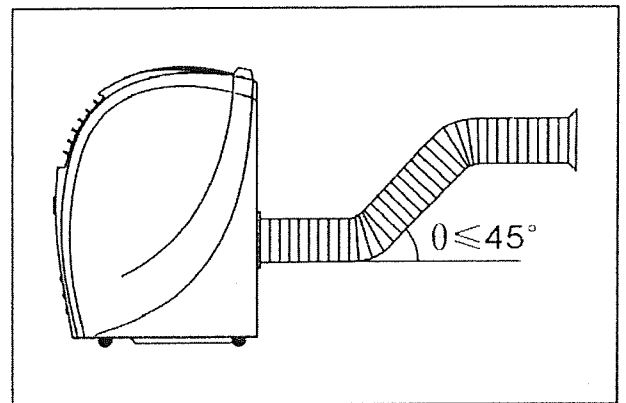


Fig.11

c) Incorrect bending

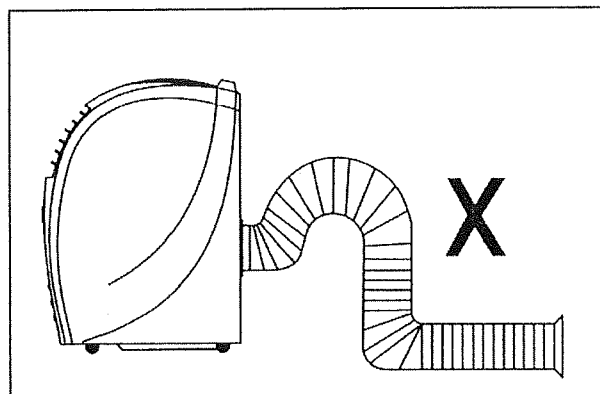


Fig.12

Water Drainage Methods

Adding Water

An added feature of this model.

Humidity absorbed from the air condenses at the Evaporator, turns into water and is collected in the internal tank. When enough water is collected it is pumped up and over the condenser, assisting the cooling of the refrigerated gas, increasing the COOLING CAPACITY. Some of this recycled water is evaporated at condenser and expelled from the machine as water vapor through the exhaust hose.

To utilise the full potential of your air conditioner from initial start up we recommend that 1800 mls of water be added to the internal water tank via the small draw located at the rear bottom center of the machine.

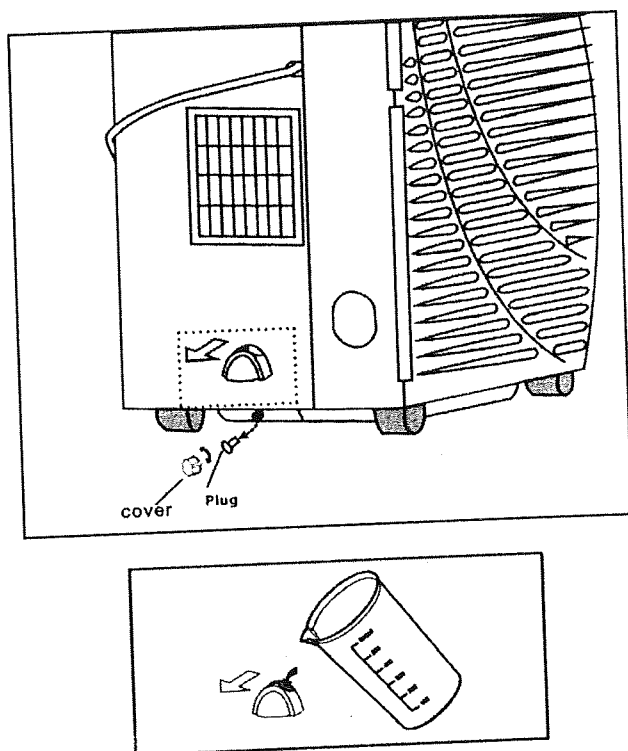


Fig. 13

Normally an adequate quantity of water is collected to keep the recycling process operating. During very humid conditions the collection of water may over take the evaporation rate and the internal tank may become full.

The maximum water level in the tank is controlled by a float and micro switch, when the preset level is exceeded the Water Full Indicator will light and the compressor will shut off automatically, the fan motor will stay circulating the air. A buzzer will sound every 5 minutes until the water is drained.

At this time, you must empty the water tank as described "Water Drainage".

When the ambient temperature reaches 38° or greater while the Compressor is running and there is no water in the internal tank the Water Injection Indicator will flash. This indicates that you should add water, after filling the indicator goes off.

When the ambient temperature is lower than 38° while the compressor has been running over an hour and there is no water in the internal tank the Water Injection Indicator will flash. This again indicates that you should add water, after filling the indicator goes off.

During the operation of this portable unit, the system (or water sensor) checks the water level every hour, if there is inadequate water the Water Indicator will flash requesting water filling.

There is a time lag between the system detecting low water and the Water Injection Indicator flashing to indicate adding water.

During low humidity it maybe necessary to add more water to the internal tank to keep the recycling process functioning.

If there is any doubt regards the quantity of water in the tank we suggest that you drain the tank and start again adding the 1800 mls.

Water Drainage

During the process of cooling or Dehumidifying, water will be generated from the air and collected in the water tank inside the unit. When the tank is full, the compressor will stop and the Water Full Indicator on the control panel will come on to remind you to empty the water tank.

The water tank should be emptied as follows:

1. Before you empty the unit you will need to turn the unit off and pull the plug out of the power supply.
2. Upcap the lid, remove the rubber plug on the drainage port, then let the water flow out.
3. Once drained, put the rubber plug back and screw the lid up an switch it on. The compressor will delay restarting for three minutes, then the unit will work normally.

IT IS RECOMMENDED THAT YOU DO NOT MOVE THE UNIT AROUND WITHOUT FIRSTLY DRAINING THE INTERNAL TANK. IF WATER IS LEFT IN THE UNIT THEN IT MAY SPILL OUT ONTO THE FLOOR OR CARPET.

Maintenance

Cleaning

Turn off the unit and pull the plug out of the socket before cleaning.

1. Clean the surface

Clean the surface of the unit with a duster or a damp soft cloth. Do not use chemical solvent like benzene, alcohol, gasoline and etc, or the surface may be damaged or even deformed.

2. Clean the air filter

If the air filter is blocked with a lot of dust, the efficiency will be reduced. You should clean the filter every two weeks.

1) Pull out the air filter as Fig.14.

2) Wash the air filter by immersing it gently in warm (under 40°C or 104°F) water with neutral detergent. Rinse the filter and dry it in a shaded place.

3) Push the air filter back into the original position.

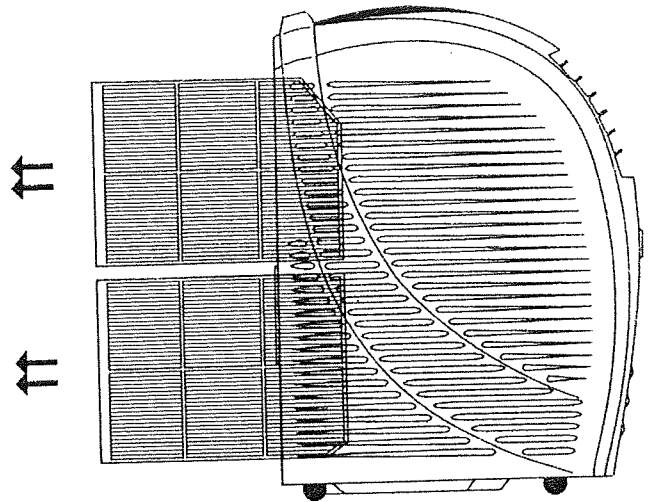


Fig. 14

End Of Season

1. Pull out the plug from the drain mouth and remove the water from the drain pan. You can remove the water entirely by slanting the unit back. Setting the fan mode, then press the Fan button for 5 seconds until the lower fan works. After that, operate the unit in fan mode for half a day until the pipe is dry. In this way the inside of the unit can be dried.
2. Switch off the unit and disconnect the plug from the power supply.
3. Tie the cable with string.
4. Remove the air exhaust duct and keep stored in a safe dry place.
5. Wrap the unit with the plastic bag, and keep it in a dry place.
6. Take the batteries out of the remote control and keep in a dry place.

Trouble Shooting

Before contacting a professional please read the following troubleshooting guide .

Trouble	Check	Solution
The unit doesn't operate at all.	Is power fail? Is plug out? Is power fuse or switch off? Is the set time suitable? Is water full alarm on?	It is normal. Insert the plug into the socket steadily. Change the fuse or switch on. Change the set time. Empty the internal water reservoir
Cooling efficiency is not good	Is air inlet or outlet blocked? Is there any other heat source in room? Are air filters very dirty? Is the set temperature suitable? Is fan speed set at low?	Clear the blockages Move the heat source. Clean the air filter. Change temperature. Select suitable fan speed.
Too noisy and vibration	It is the inner liquid (refrigerant) flowing inside. Is it inclined?	It is normal. Place it on a flat surface.
The unit starts and stops frequently	Is the voltage normal? Is the exhaust tube attached correctly or is it bent. Have you added an extra exhaust tube	Turn off the unit if the voltage is abnormal. Set the exhaust tube correctly. Remove the extra tube.

Self-diagnosis function

Check code	Diagnosis of malfunction
E2	Room temperature faults
E3	Faulty coil temperature
E5	Unit faults (Restart the unit)

Note: When display E4, it means that the coil is defrosted. That is the normal status.

Installation Accessories

Description:

- Flexible exhaust hose with adapter2/set
- Stretch from approximately 28cm up to 150cm.
- Window exhaust adapter (flat mouth).....1pc
- Adjustable window kit2/set
- Screw (the length is 3/8")1pc
- Water cup1pc

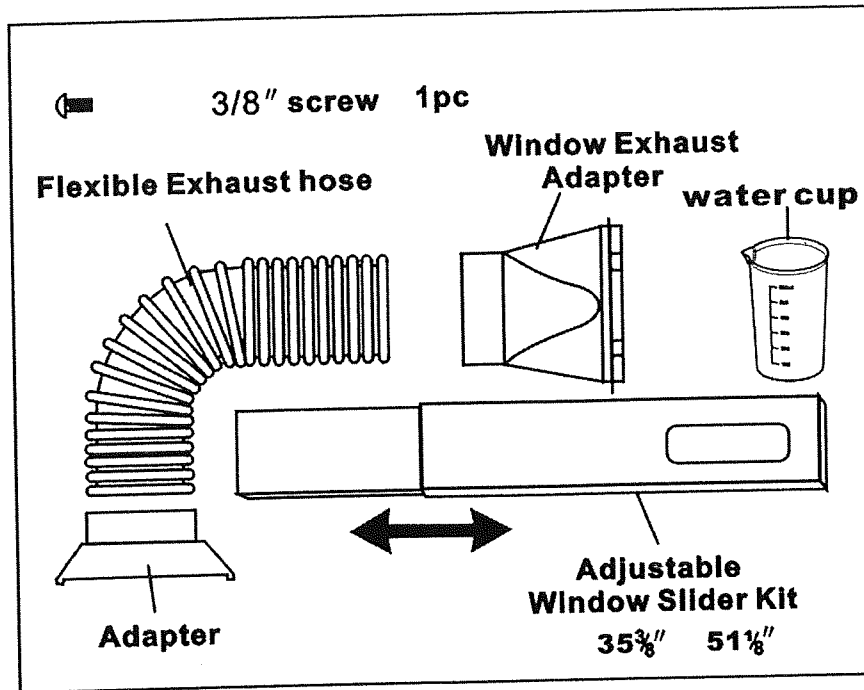


Fig. 15

Appendix

